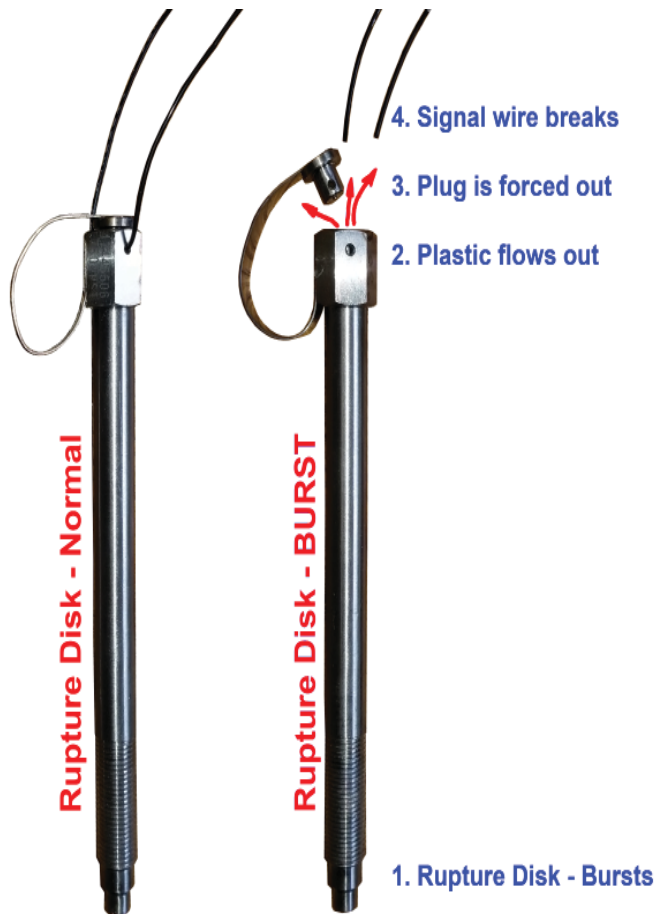


## RUPTURE DISK with BURST INDICATION OPTION



### “BI” - Burst Indication Option

#### STANDARD SAFETY FEATURES

Signal wire breaks when disk ruptures.  
Teflon insulated signal wire.  
Option for any Hex Head Extruder Rupture Disk  
Stainless steel body  
Inconel Burst Disk  
100% Leak tested

Extruder Rupture Disks with Burst Indication (option - BI) offers an inexpensive signal output when the disk ruptures. A plug is fitted at the discharge end. A small hole is drilled through the hex head where a small diameter teflon insulated signal wire is placed through. When a rupture disc discharges, plastic flow causes the plug to pop out and shear the signal wire. This sheared wire can be used to send a signal to the control system to shut the extruder down.

**BI - Burst Disk Option** - can be added to any hex head rupture disk and can ship the same/next day.

#### ORDERING INFP EXAMPLE

Using stock - Part# RP1206-7500 - 1/2"-20unf x 6"L + Hex , 7500psi

With BI option - Part# RP1206-7500-BI - 1/2"-20unf x 6"L + Hex , 7500psi c/w BI - Burst Disk option

# RUPTURE DISK - STANDARD - BODY DESIGNS

## RP12 - 1/2"-20 UNF c/w HEX HEAD

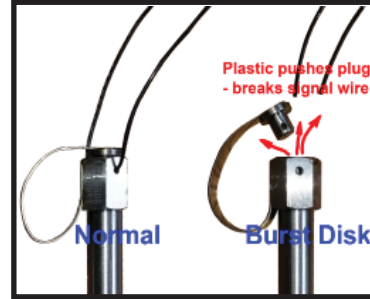
### STANDARD FEATURES-

Max Temp - 750°F  
 Inconel Diaphragm  
 304 SS Body  
 +/-5% Accuracy  
 Welded Design  
 Ranges from:  
 0-1500 to 14,500psi  
 100% Leak tested

### OPTIONS

Max Temp - 1000°F  
 Hastelloy Diaphragm  
 DischargeThreads:  
 1/4"NPT  
 3/8"NPT  
 1/2"NPT  
 Others  
 Custom Tip Dim.

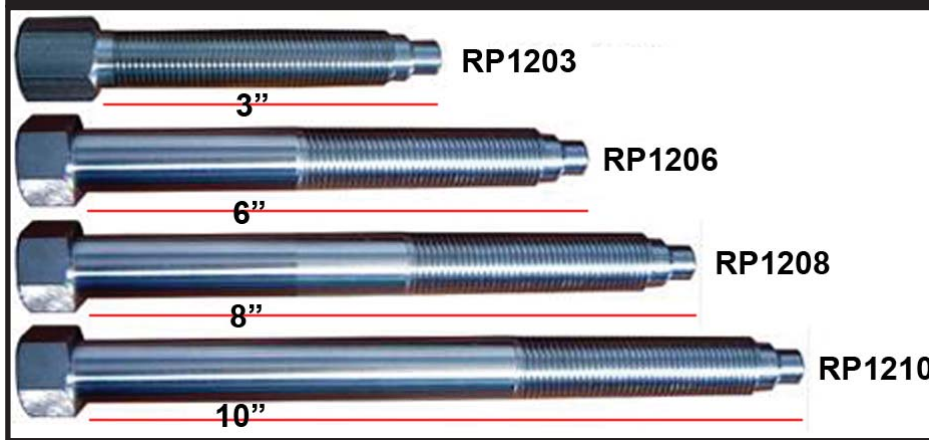
BI - Burst Indication



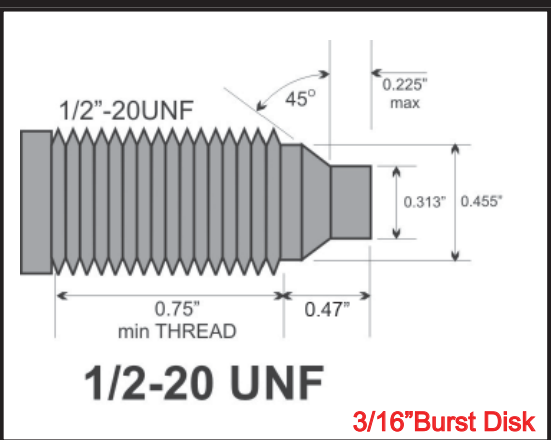
Discharge Thread



RP12 - BODY DIMENSIONS



RP12 - TIP DIMENSIONS



STOCK LIST - RP12 HEX HEAD - 1/2"-20UNF

Pressure	3" +Hex	6" +Hex	8" +Hex	10" +Hex	12" +Hex
1500psi	RP1203-1500	RP1206-1500	RP1208-1500	RP1210-1500	RP1212-1500
2500psi	RP1203-2500	RP1206-2500	RP1208-2500	RP1210-2500	RP1212-2500
3500psi	RP1203-3500	RP1206-3500	RP1208-3500	RP1210-3500	RP1212-3500
4500psi	RP1203-4500	RP1206-4500	RP1208-4500	RP1210-4500	RP1212-4500
5000psi	RP1203-5000	RP1206-5000	RP1208-5000	RP1210-5000	RP1212-5000
5500psi	RP1203-5500	RP1206-5500	RP1208-5500	RP1210-5500	RP1212-5500
6500psi	RP1203-6500	RP1206-6500	RP1208-6500	RP1210-6500	RP1212-6500
7500psi	RP1203-7500	RP1206-7500	RP1208-7500	RP1210-7500	RP1212-7500
8500psi	RP1203-8500	RP1206-8500	RP1208-8500	RP1210-8500	RP1212-8500
9000psi	RP1203-9000	RP1206-9000	RP1208-9000	RP1210-9000	RP1212-9000
9500psi	RP1203-9500	RP1206-9500	RP1208-9500	RP1210-9500	RP1212-9500
10000psi	RP1203-10000	RP1206-10000	RP1208-10000	RP1210-10000	RP1212-10000
10500psi	RP1203-10500	RP1206-10500	RP1208-10500	RP1210-10500	RP1212-10500
11000psi	RP1203-11000	RP1206-11000	RP1208-11000	RP1210-11000	RP1212-11000
12000psi	RP1203-12000	RP1206-12000	RP1208-12000	RP1210-12000	RP1212-12000
14500psi	RP1203-14500	RP1206-14500	RP1208-14500	RP1210-14500	RP1212-14500